

Protistor® size 000/00 gR

690VAC

Square Body High-Speed Fuse-Links AC Protection

The 690/700V Protistor® fuse-links provide maximum flexibility in equipment design and ultimate protection for small power conversion equipment. The Protistor® gR have been engineered to provide full range protection to eliminate all overloads and semiconductor fault. Fuses are assembled with pure silver, die-cut elements embedded in solidified sand, which helps control arcing characteristics for a lower I²t and high interrupting rating level. All contact surfaces are silver plated and all hardware is non-magnetic.

Each fuse-link can be equipped with a low voltage trip-indicator which can operate a field mountable microswitch.

Features Benefits

- gR Class according to IEC 60269-4 and VDE 636-23
- Low I²t for improved semiconductor protection
- Extremely fast acting
- Eliminate all overloads
- Excellent cycling capability

Applications

- Protection of inverters, motor drives, UPS systems and similar 690V or less equipments.

Technical data overview

Voltage AC	690 VAC
Ampere Range (A)	16 ... 160 A
Size per Standard	000, 00
Speed/Characteristic	gR
I.R. AC (kA)	200 kA



Standards

IEC 60269-4 Compliance
UL/CSA Recognized Component
AC: UL Guide No. E76491



Protistor® size 000/00 gR

690VAC

Product range

Size 000 DIN80, vertical body, without indicator

Catalog number	Reference number	Size	Rated voltage AC (IEC)	Rated voltage AC (UL)	Rated current I _n	Pre-arcing I ² t	Clearing I ² t at Rated Voltage	Rated breaking capacity AC	Power dissipation at I _n	Weight	Package
DN000GB69V16	L330060	000	690 V	1 V	16 A	8.2 A ² s	60 A ² s	200 kA	5.6 W	130 g	6
DN000GB69V20	D330030	000	690 V	-	20 A	12 A ² s	80 A ² s	200 kA	7 W	130 g	6
DN000GB69V25	E330031	000	690 V	-	25 A	20 A ² s	150 A ² s	200 kA	9 W	130 g	6
DN000GB69V32	F330032	000	690 V	-	32 A	39 A ² s	270 A ² s	200 kA	10 W	130 g	6
DN000GB69V40	G330033	000	690 V	-	40 A	70 A ² s	460 A ² s	200 kA	12 W	130 g	6
DN000GB69V50	H330034	000	690 V	-	50 A	102 A ² s	730 A ² s	200 kA	14 W	130 g	6
DN000GB69V63	J330035	000	690 V	-	63 A	210 A ² s	1500 A ² s	200 kA	16 W	130 g	6
DN000GB69V80	A330073	000	690 V	-	80 A	475 A ² s	2900 A ² s	200 kA	18 W	130 g	6
DN000GB69V100	S330112	000	690 V	-	100 A	970 A ² s	6000 A ² s	200 kA	20 W	130 g	6
DN000GB69V125	T330113	000	690 V	-	125 A	1900 A ² s	11800 A ² s	200 kA	21 W	130 g	6



Size 000 DIN80, vertical body, with indicator

Catalog number	Reference number	Size	Rated voltage AC (IEC)	Rated voltage AC (UL)	Rated current I _n	Pre-arcing I ² t	Clearing I ² t at Rated Voltage	Rated breaking capacity AC	Power dissipation at I _n	Weight	Package
DN000GB69V16V	C330190	000	690 V	1 V	16 A	8.2 A ² s	60 A ² s	200 kA	5.6 W	130 g	6
DN000GB69V20V	P330017	000	690 V	-	20 A	12 A ² s	80 A ² s	200 kA	7 W	130 g	6
DN000GB69V25V	Q330018	000	690 V	-	25 A	20 A ² s	150 A ² s	200 kA	9 W	130 g	6
DN000GB69V32V	R330019	000	690 V	-	32 A	39 A ² s	270 A ² s	200 kA	10 W	130 g	6
DN000GB69V40V	S330020	000	690 V	-	40 A	70 A ² s	460 A ² s	200 kA	12 W	130 g	6
DN000GB69V50V	T330021	000	690 V	-	50 A	102 A ² s	730 A ² s	200 kA	14 W	130 g	6
DN000GB69V63V	V330022	000	690 V	-	63 A	210 A ² s	1500 A ² s	200 kA	16 W	130 g	6
DN000GB69V80V	G330102	000	690 V	-	80 A	475 A ² s	2900 A ² s	200 kA	18 W	130 g	6
DN000GB69V100V	Q330110	000	690 V	-	100 A	970 A ² s	6000 A ² s	200 kA	20 W	130 g	6
DN000GB69V125V	R330111	000	690 V	-	125 A	1900 A ² s	11800 A ² s	200 kA	21 W	130 g	6



Size 000 DIN80, vertical body, for monitoring micro-contact

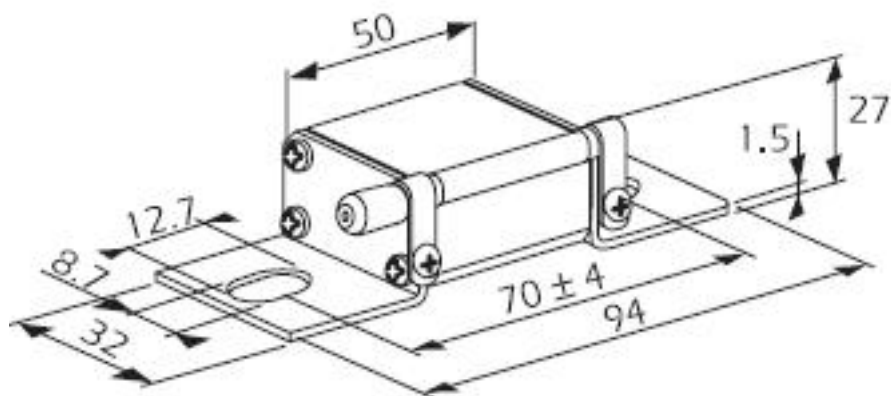
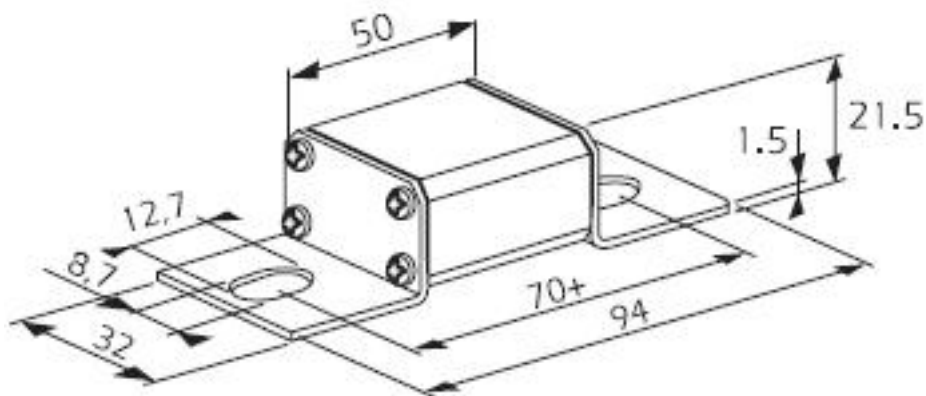
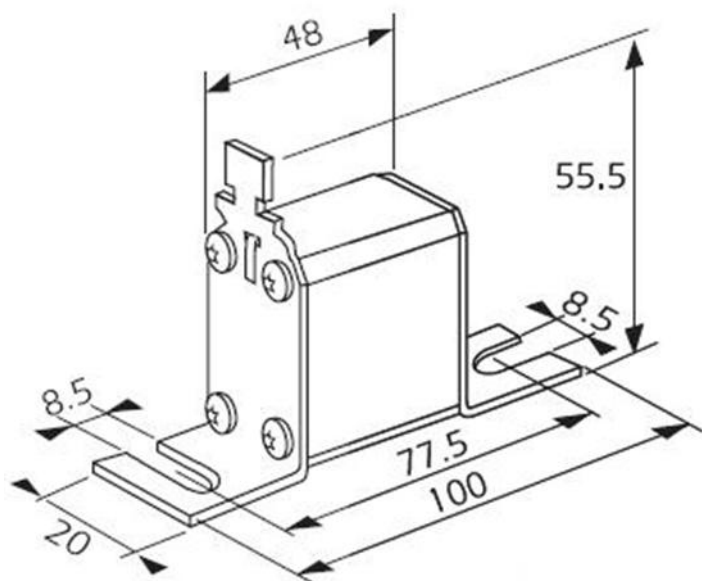
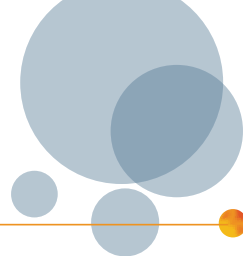
Catalog number	Reference number	Size	Rated voltage AC (IEC)	Rated voltage AC (UL)	Rated current I _n	Pre-arcing I ² t	Clearing I ² t at Rated Voltage	Rated breaking capacity AC	Power dissipation at I _n	Weight	Package
DN000GB69V16L	X330277	000	690 V	1 V	16 A	8.2 A ² s	60 A ² s	200 kA	5.6 W	130 g	6
DN000GB69V20L	J330173	000	690 V	-	20 A	12 A ² s	80 A ² s	200 kA	7 W	130 g	6
DN000GB69V25L	K330174	000	690 V	-	25 A	20 A ² s	150 A ² s	200 kA	9 W	130 g	6
DN000GB69V32L	L330175	000	690 V	-	32 A	39 A ² s	270 A ² s	200 kA	10 W	130 g	6
DN000GB69V40L	M330176	000	690 V	-	40 A	70 A ² s	460 A ² s	200 kA	12 W	130 g	6
DN000GB69V50L	N330177	000	690 V	-	50 A	102 A ² s	730 A ² s	200 kA	14 W	130 g	6
DN000GB69V63L	P330178	000	690 V	-	63 A	210 A ² s	1500 A ² s	200 kA	16 W	130 g	6
DN000GB69V80L	Q330179	000	690 V	-	80 A	475 A ² s	2900 A ² s	200 kA	18 W	130 g	6
DN000GB69V100L	R330180	000	690 V	-	100 A	970 A ² s	6000 A ² s	200 kA	20 W	130 g	6
DN000GB69V125L	S330181	000	690 V	-	125 A	1900 A ² s	11800 A ² s	200 kA	21 W	130 g	6

Size 000 BS88, horizontal body, with indicator

Catalog number	Reference number	Size	Rated voltage AC (IEC)	Rated voltage AC (UL)	Rated current I _n	Pre-arcing I ² t	Clearing I ² t at Rated Voltage	Rated breaking capacity AC	Power dissipation at I _n	Weight	Package
PC000GB69V16PV	Y210609	000	690 V	1 V	16 A	8.2 A ² s	60 A ² s	200 kA	5.6 W	150 g	3
PC000GB69V20PV	Z210610	000	690 V	-	20 A	12 A ² s	80 A ² s	200 kA	7 W	150 g	3

Protistor® size 000/00 gR

690VAC



EN reserves the right to change, update or correct, without notice, any information contained in this datasheet.